

STELLINA DIRECT

LINEAR DIRECT LED

APPLICATIONS:

Commercial, retail and supermarket direct aisle lighting

CONSTRUCTION:

One piece extruded aluminum housing
Internal components are die-formed galvanized and cold-rolled steel
Individual housing lengths, including end caps, 49" or 97"
Continuous rows can be provided to the nearest foot
High reflectance white finish. For other finishes, consult factory

OPTICS:

Die-formed high reflectance white powder coat reflector

Lens: Flush mounted snap-in lens, made of 100% acrylic. Proprietary Batwing optics for vertical light distribution.

ELECTRICAL:

Electronic, multi-volt (120v-277v) constant current driver
0-10v dimming standard

This product complies with IEEE C62.41 for surge endurance up to 3KV. Amerlux® recommends using additional surge protection with this unit (supplied by others), surge damage is not covered by warranty.

Emergency circuit via remote inverter or auxiliary emergency power supply (by others)

MOUNTING:

Aircraft cable suspension
Fixtures may be continuously row-mounted, consult factory

LABELING:



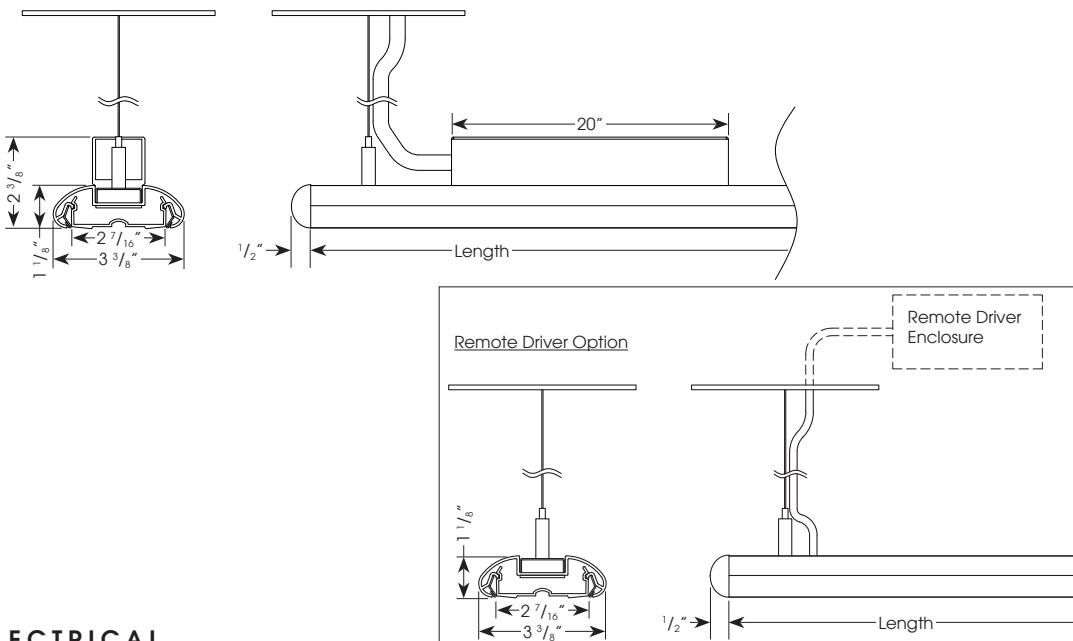
For indoor use only

STL-D
LED



PROJECT:

TYPE:



ELECTRICAL

Electronic driver

Wattage per foot		4'		8'	
		System watts	Amps	System watts	Amps
5	120v	20	.17	40	.33
	277v	20	.07	40	.14
10	120v	40	.33	80	.67
	277v	40	.14	80	.29

ORDERING INFORMATION:

Model	Light Distr./Shielding	Mounting	Wattage	Lamp Type	Color Temp	Finish	Voltage	Length	Configuration	Options
STL-D	BAT60 - 60° batwing distribution	ASW10 - aircraft cable with straight feed, (18ga., 5 conductor) white, 10'	5	LED	2700	HW - high reflectance white (other RAL)	120	4	IND - individual	HILUME-DH - Lutron Hi-Lume® 3 wire, 1% dim
	BAT80 - 80° batwing distribution		10		3000		277	8	BOR - beginning of run	
			Consult factory for other wattage requirements		3500			(run to nearest foot)	MOR - middle of run	HILUME-ECO - Lutron Hi-Lume® EcoSystem, 1% dim
				4000				EOR - end of run		

Example: STL-D-BAT60-ASW10-10-LED-3500-HW-120-4-IND

Cat #:

Amerlux reserves the right to change details that do not affect overall function and performance.

STELLINA DIRECT

LINEAR DIRECT LED

STL-D
LED



TYPE:



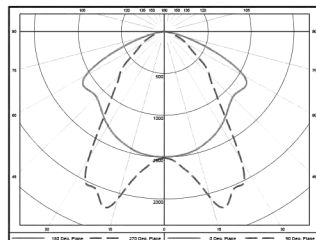
FIXTURE DATA: For 5w data, multiply by 0.52
CCT Correction Factors: 2700 = 0.92; 3500 = 1.08; 4000 = 1.17

Complete photometric data (ies format) available upon request.

BATWING 60° DIRECT

STELLINA DIRECT 10W LED 4FT 3000K
SOURCE: LED LUMENS: 4370 (1093 lm/ft)
PENDANT

LTL# 1048968



ZONAL LUMEN SUMMARY

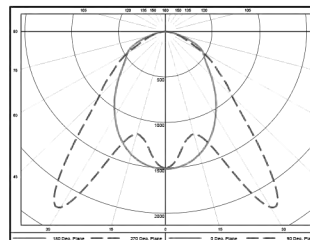
Zone	Lumens	%Fixt
0-40	2494	57.1
0-60	3414	88.9
0-90	4370	100.00
90-180	0	0.00

Efficacy = 107.1 Lumens /Watt

BATWING 80° DIRECT

STELLINA DIRECT 10W LED 4FT 3000K
SOURCE: LED LUMENS: 4303 (1076 lm/ft)
PENDANT

LTL# 1048967



ZONAL LUMEN SUMMARY

Zone	Lumens	%Fixt
0-40	2075	48.2
0-60	3308	85.2
0-90	4303	100.00
90-180	0	0.00

Efficacy = 105.4 Lumens /Watt

UTILIZATION OF LUMENS

Effective Floor Cavity Reflectance 20%

RC	80			
RW	70	50	30	10
RCR				
0	5202	5202	5202	5202
1	4829	4653	4494	4352
2	4451	4139	3880	3663
3	4101	3693	3378	3126
4	3784	3312	2967	2704
5	3500	2987	2629	2364
6	3246	2708	2347	2088
7	3018	2467	2111	1860
8	2815	2259	1910	1670
9	2633	2078	1738	1509
10	2470	1920	1590	1371

UTILIZATION OF LUMENS

Effective Floor Cavity Reflectance 20%

RC	80			
RW	70	50	30	10
RCR				
0	5123	5123	5123	5123
1	4723	4535	4367	4215
2	4317	3984	3709	3478
3	3946	3513	3178	2912
4	3615	3116	2752	2473
5	3322	2782	2405	2127
6	3063	2500	2122	1850
7	2834	2259	1887	1626
8	2632	2054	1691	1441
9	2452	1878	1526	1288
10	2293	1725	1385	1159

BHP Energy México S. de R.L de C.V.

Representante Exclusivo

Tel: +52 55 5251 2008 / ventas@bhpenergy.mx

www.bhpenergy.mx

© 2016 BHP Energy México Todos Los Derechos Reservados