

# ROOK 475 PENDANT

4.75" ROUND PENDANT, LED

## APPLICATIONS:

Retail and commercial ambient/task lighting

## CONSTRUCTION:

Extruded aluminum pendant  
Spun aluminum trim  
Die-cast aluminum heat sink

## OPTICS:

Spun aluminum upper optic reflector  
Spun aluminum anodized lower reflector cone  
LED:

Color Temp Options: 2200K, 2700K, 3000K, 3500K, 4000K

CRI: 83 typ. (2700K, 3000K, 3500K, 4000K)

97 typ. (2200K, 2700K, 3000K)

Crisp White LED available

Binning: 3 MacAdam (SDMC)

Lumen Maintenance: >70% of initial lumens @ 50,000 hrs

Lumen Output (3000K): up to 2104 lm, up to 77 lm/w

CBCP (3000K): up to 15,930

## ELECTRICAL:

Electronic constant current LED driver, 120v/277v input  
ELV and Triac dimming standard, 120v or 277v.  
0-10v and Lutron systems also available. See following  
pages for more information.

**This product complies with IEEE C62.41 for surge endurance up to 2.5KV. Amerlux® recommends using additional surge protection with this unit (supplied by others), surge damage is not covered by warranty.**

## MOUNTING:

Canopy/cord, rigid stem or surface mounting

## LABELING:



For indoor use only

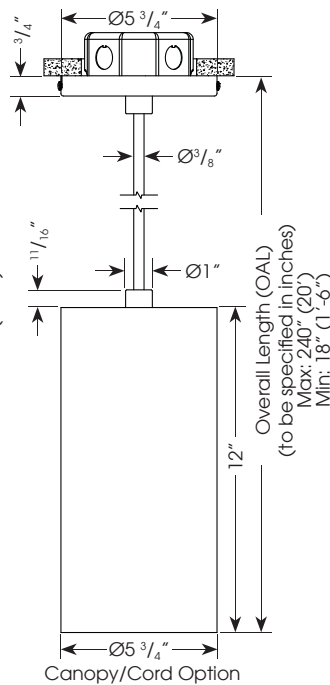
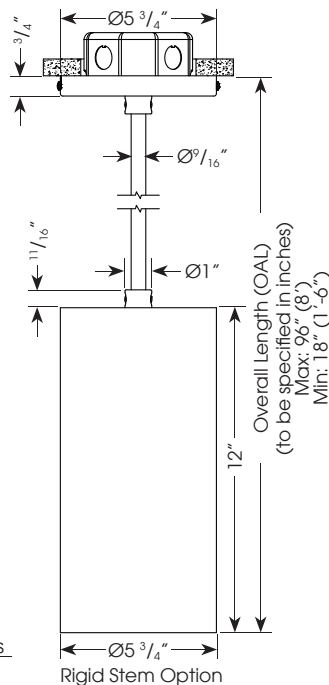
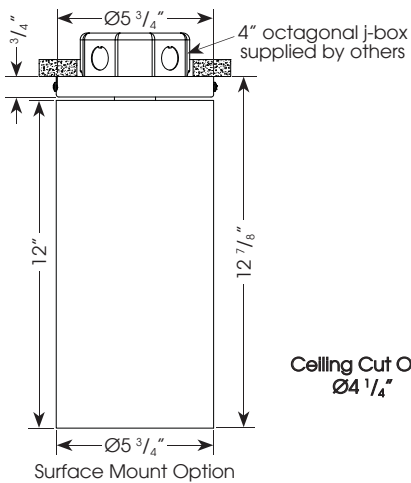
Damp location

RK475-RD  
LED



PROJECT:

TYPE:



## ELECTRICAL

Electronic driver

	14w		19w		27w	
	System Watts	Amps	System Watts	Amps	System Watts	Amps
120v	14	0.12	19	0.16	27	0.23
277v	14	0.05	19	0.07	27	0.10

## ORDERING INFORMATION:

Model	Wattage	Lamp Type	Housing Finish	Voltage	Mounting	Length (OAL)	Beam Spread	Aperture Cone Finish	Color Temp	Options
RK475-RD	14 19 27	LED	MW - matte white MB - matte black SLV - matte silver	120/277	CC - canopy/cord RS - rigid stem SM - surface mount	(see dimension parameters above; consult factory for other lengths)	SP - spot, 15° FL - flood, 25° WF - wide flood, 40°	SD - semi-diffuse	2700 3000 3500 4000	HILUME-ECO - Lutron Hi-lume®/EcoSystem dimming 0-10V - 0-10v dimming
									97CRI 2200-97 2700-97 3000-97	
									CRISP - crisp white	

Complete Example: RK475-RD-29-LED-MW-120/277-CC-48"-SP-SD-3000

Cat #:

Amerlux reserves the right to change details that do not affect overall function and performance.

# ROOK 475 PENDANT

4.75" ROUND PENDANT, LED

RK475-RD  
LED



TYPE:

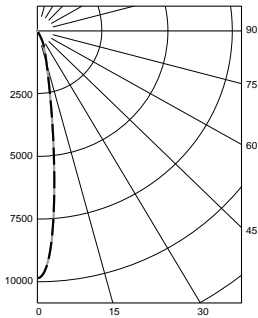


**FIXTURE DATA:** For 19w data, multiply by 1.3

Complete photometric data (ies format) available upon request.

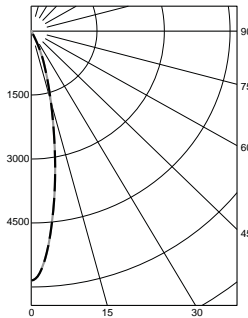
## 14W LED

SPOT  
DISTRIBUTION  
LTL # 1085472



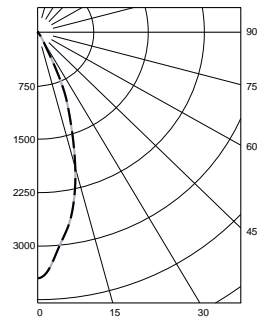
Candelas at Nadir	
Deg	Candela
0	8683
5	7029
15	1289
25	374
35	40
45	24

FLOOD  
DISTRIBUTION  
LTL # 1085470



Candelas at Nadir	
Deg	Candela
0	5849
5	4894
15	1813
25	430
35	45
45	17

WIDE FLOOD  
DISTRIBUTION  
LTL # 1085471

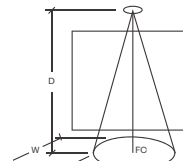


Candelas at Nadir	
Deg	Candela
0	3451
5	3074
15	1972
25	671
35	78
45	19

## APPLICATION DATA:

### Notes and Definitions:

Beam spread is to 50% center beam candlepower (CBCP).  
 D=Distance to floor or wall.  
 FC=Footcandles on floor or wall at center beam aiming location.  
 L=Effective Visual Beam length in feet (50% of maximum footcandle level).  
 W=Effective Visual Beam width in feet (50% of maximum footcandle level).  
 CB=Distance across or down to center beam location.



	D	FC	L	W
SPOT	5.0'	395	1.3	1.3
	7.5'	176	1.8	1.8
	10.0'	99	2.6	2.6
	12.5'	63	3.2	3.2
FLOOD	5.0'	235	1.8	1.8
	7.5'	104	2.9	2.9
	10.0'	59	3.7	3.7
	12.5'	38	4.7	4.7
WIDE FLOOD	5.0'	138	2.8	2.8
	7.5'	62	4.1	4.1
	10.0'	35	5.5	5.5
	12.5'	22	6.9	6.9

# ROOK 475 PENDANT

4.75" ROUND PENDANT, LED

RK475-RD  
LED



TYPE:

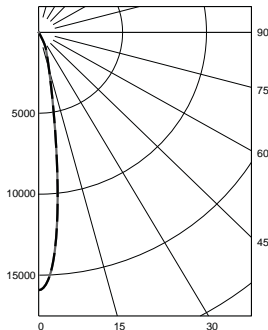


**FIXTURE DATA:** For 19w data, multiply by 0.70

Complete photometric data (ies format) available upon request.

## 27W LED

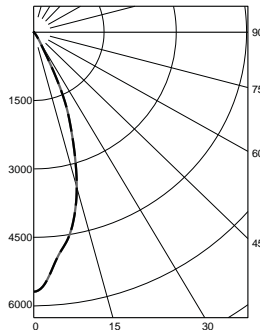
SPOT  
DISTRIBUTION  
LTL #1085473



Candelas at Nadir

Deg	Candela
0	15930
5	12010
15	2227
25	698
35	74
45	34

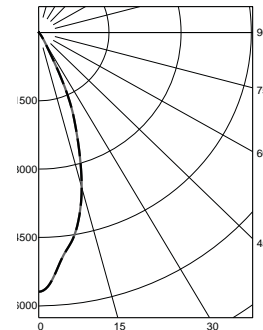
FLOOD  
DISTRIBUTION  
LTL #1085475



Candelas at Nadir

Deg	Candela
0	10520
5	8749
15	3274
25	801
35	69
45	25

WIDE FLOOD  
DISTRIBUTION  
LTL #1085474



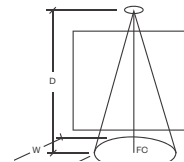
Candelas at Nadir

Deg	Candela
0	5693
5	5088
15	3518
25	1239
35	135
45	27

## APPLICATION DATA:

### Notes and Definitions:

Beam spread is to 50% center beam candlepower (CBCP).  
 D=Distance to floor or wall.  
 FC=Footcandles on floor or wall at center beam aiming location.  
 L=Effective Visual Beam length in feet (50% of maximum footcandle level).  
 W=Effective Visual Beam width in feet (50% of maximum footcandle level).  
 CB=Distance across or down to center beam location.



	D	FC	L	W
SPOT	5.0'	722	1.3	1.3
	7.5'	308	1.8	1.8
	10.0'	170	2.7	2.7
	12.5'	107	3.3	3.3
FLOOD	5.0'	477	1.7	1.7
	7.5'	203	2.8	2.8
	10.0'	112	3.6	3.6
	12.5'	71	4.6	4.6
WIDE FLOOD	5.0'	259	2.8	2.8
	7.5'	110	4.2	4.2
	10.0'	61	5.6	5.6
	12.5'	39	7.2	7.2

# ROOK 475 PENDANT

4.75" ROUND PENDANT, LED

RK475-RD  
LED



TYPE:



## DIMMING COMPATIBILITY:

Amerlux® fixtures are compatible with all major dimming protocols prevalent in the United States. Please see below for general compatibilities and wiring diagrams. Amerlux recommends testing your unique dimming configuration as the exact full configuration (Dimmer, Fixture Quantity, Voltage, etc) may affect dimming performance.

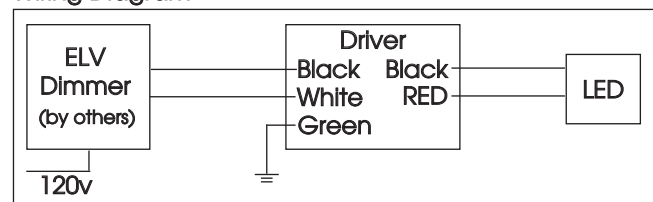
### ELV - Electronic Low Voltage (Reverse Phase) DIMMING (standard)

Utilizes specialized "ELV" dimmers. Best for New Construction applications

#### Notes:

- 120v or 277v
- Dims down to less than 5% light output (most cases)
- Consult Dimming manufacturer for installation Instructions - DO NOT SHARE NEUTRALS!
- Must meet dimmer Minimum Load Requirements

#### Wiring Diagram



#### Compatible Dimmers

##### Wall Box (ELV Style)

Lutron "Diva"  
Lutron "Nova-T"  
Lutron "Maestro"  
Leviton "Surslide"

Lutron "Vareo"  
Lutron "Skylark"  
  
Leviton "Vizio"

##### Central System

ETC "SR" Rack w/ELV10 Module  
Lutron "GP" Panel with PHPM-PA Interface

ETC "DRD" Rack w/ELV10 Module  
Lutron Grafix Eye QS with PHPM-PA Interface

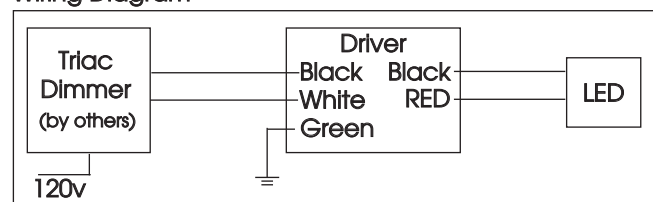
### TRIAC (Forward Phase) DIMMING (standard)

Utilizes "Standard" incandescent dimmers that are in wide use in installations across the US. Best for retrofit applications where Triac dimmers are installed.

#### Notes:

- 120v or 277v
- Dims down to less than 5% light output (most cases)
- Consult Dimming manufacturer for installation Instructions - DO NOT SHARE NEUTRALS!
- Must meet dimmer Minimum Load Requirements per dimming manufacturer

#### Wiring Diagram



#### Compatible Dimmers

##### Wall Box (Incandescent Style, Wattage as required)

Lutron "Diva"  
Lutron "Nova-T"  
Lutron "Maestro"

Lutron "Vareo"  
Lutron "Skylark"

##### Central System

ETC "SR" Rack w/D20 Module  
Lutron "GP" Panel

ETC "DRD" Rack w/D20 Module  
Lutron Grafix Eye QS

# ROOK 475 PENDANT

4.75" ROUND PENDANT, LED

RK475-RD  
LED



TYPE:



## LUTRON HI-LUME / ECO-SYSTEM (-HILUME-ECO Option)

Integrates into a variety of building management and daylighting controls

### Notes:

- 120v or 277v
- Dims down to less than 5% light output
- May use 3-Wire or Ecosystem Control
- Consult Dimming manufacturer for installation instructions - DO NOT SHARE NEUTRALS!

### Compatible Dimmers

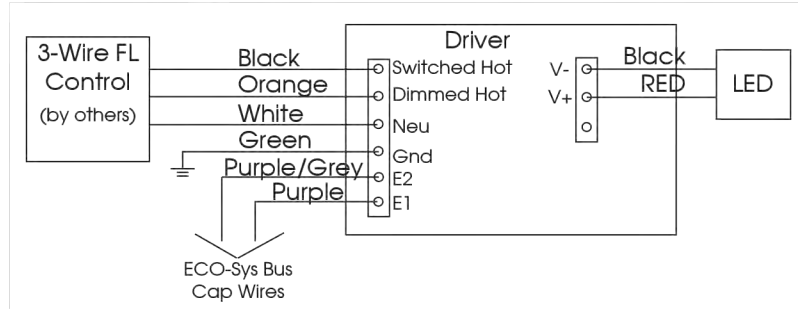
#### Wall Box (3-Wire Fluorescent)

DIVA  
Maestro  
Nova T  
Vareo

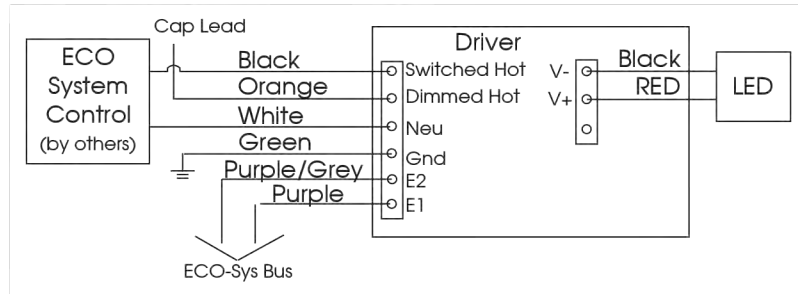
#### Central System

Lutron ECO-System compatible controls  
ETC "SR" Rack w/D20F Module  
ETC "DRD" Rack w/D20F Module

### 3-Wire Wiring Diagram



### ECO System Digital Control Wiring



## 0-10V - DIMMING (-0-10V Option)

Integrates into a variety of building management and daylighting controls

### Notes:

- 120v - 277v
- Dims down to less than 10% light output
- Requires interface to turn off power to driver
- Consult Dimming manufacturer for installation instructions - DO NOT SHARE NEUTRALS!

### Compatible Dimmers

#### Wall Box

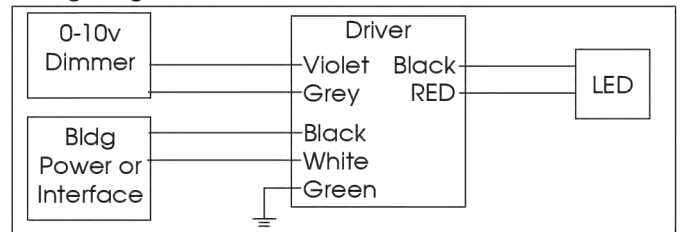
Lutron "Diva" - DVTW with PP-120H Interface

Leviton Renoir II 0-10v

#### Central System

Lutron Grafix Eye with GRX-TVI Interface

### Wiring Diagram



## BHP Energy México S. de R.L de C.V.

Representante Exclusivo

Tel: +52 55 5251 2008 / ventas@bhpenergy.mx

www.bhpenergy.mx

© 2016 BHP Energy México Todos Los Derechos Reservados