

LUNERA LUCY LAMP

LED Replacement for High Pressure Sodium Lamp

100W / 70W / 50W E26 Medium Base, Vertical Mount



Description

The Lucy Lamp is a plug-and-play replacement for a High Pressure Sodium (HPS) lamp with an E26 medium base. With a significantly lower energy consumption than conventional HPS lamps, this LED lamp replaces 100W, 70W or 50W HPS lamps.

Lunera's BallastLED technology makes the lamp truly plug-and-play by allowing it to operate directly off of the existing ballast. Simply replace the existing HPS lamp with the Lucy Lamp without making any modifications to the fixture.

The Lucy Lamp has a rated life of 50,000 hours – 2 times longer than that of HPS lamps. This eliminates costly replacement cycles and reduces maintenance costs.

The Lucy Lamp is available in a color temperature of 4000K. It delivers consistent light levels across its long life, which results in a high quality lighting experience.



100W
70W
50W



100W
70W
50W

Features

- Replaces 100W, 70W, or 50W HPS lamps
- Plug-and-play installation, operates directly off of existing installed High Pressure Sodium (HPS) ballast
- Ultra-low energy draw, extends existing ballast life
- Up to 4,600 lumens delivered
- 26W to 48W lamp power, yields 60%-70% energy savings
- >80 CRI
- CCT 4000K
- 50,000 hours to L70 lifespan

Ordering Information

Example: LY-V-E26-MULTIW-4000-G2

Series	Version	Socket Type	Lamp Wattage Replaced	CCT	Generation
LY: Lucy Lamp	V: Vertical	E26: Fits in medium (E26) base HPS socket	MULTIW: Supports 100W, 70W or 50W ballasts	4000: 4000K	G2: 2nd Generation

PROJECT	CONTACT	MODEL NO.
REFERENCE NO.	QUANTITY	DATE

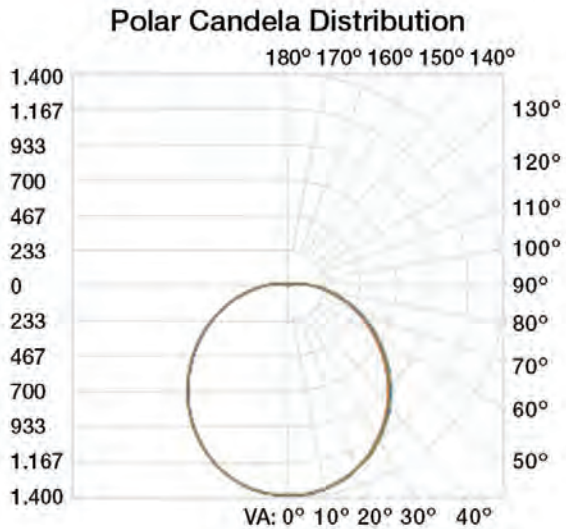
LUNERA LUCY LAMP

Product Specifications - Vertical Mount Lamp

	Driven by 100W (S54) ballast	Driven by 70W (S62) ballast	Driven by 50W (S68) ballast
Illumination			
Color Temperatures	4000K	4000K	4000K
Lumens	4000K: 4,600 lm	4000K: 3,800 lm	4000K: 2,900 lm
Color Consistency	Lunera TruColor™ proprietary process	Lunera TruColor™ proprietary process	Lunera TruColor™ proprietary process
Lumen Maintenance (L70)	50,000+ hours life	50,000+ hours life	50,000+ hours life
Electrical System			
Input Voltage	Driven by HPS ballast	Driven by HPS ballast	Driven by HPS ballast
Power Consumption	48W	36W	26W
Lamp Wattage Replaced	100W (S54)	70W (S62)	50W (S68)
Physical			
Dimensions (H x W)	5.5" x 6.1"	5.5" x 6.1"	5.5" x 6.1"
Weight	1.5 lbs	1.5 lbs	1.5 lbs
Housing and Finish	Painted	Painted	Painted
Heat Sink Size	6"	6"	6"
Environment			
Ambient Temperature	-40°F to 100°F	-40°F to 100°F	-40°F to 100°F
Humidity Rating	Damp OK, no direct water spray	Damp OK, no direct water spray	Damp OK, no direct water spray
Fixture Type	Open or enclosed	Open or enclosed	Open or enclosed
Installation			
Socket Type	Fits vertical mount medium base (E26) HPS socket	Fits vertical mount medium base (E26) HPS socket	Fits vertical mount medium base (E26) HPS socket
Certifications & Qualifications			
UL	Recognized, US & CAN	Recognized, US & CAN	Recognized, US & CAN
RoHS Compliant	Contains no lead or mercury	Contains no lead or mercury	Contains no lead or mercury
LM79, LM80, IES Files	Complete	Complete	Complete
Warranty			
Warranty	5 years	5 years	5 years

Photometry

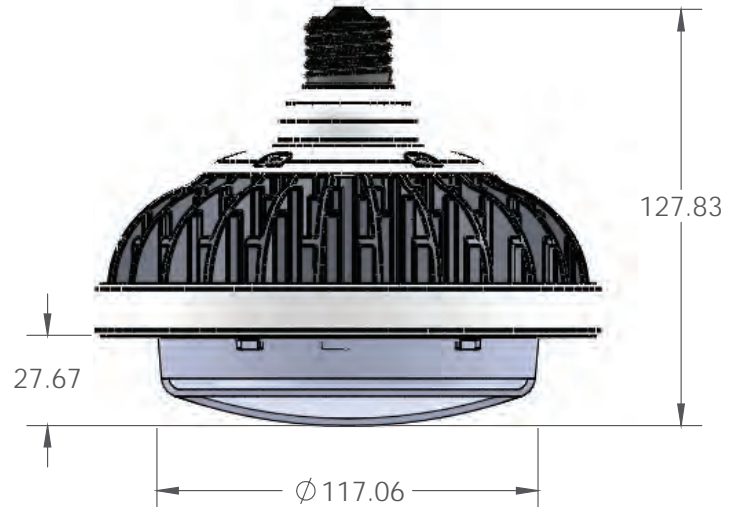
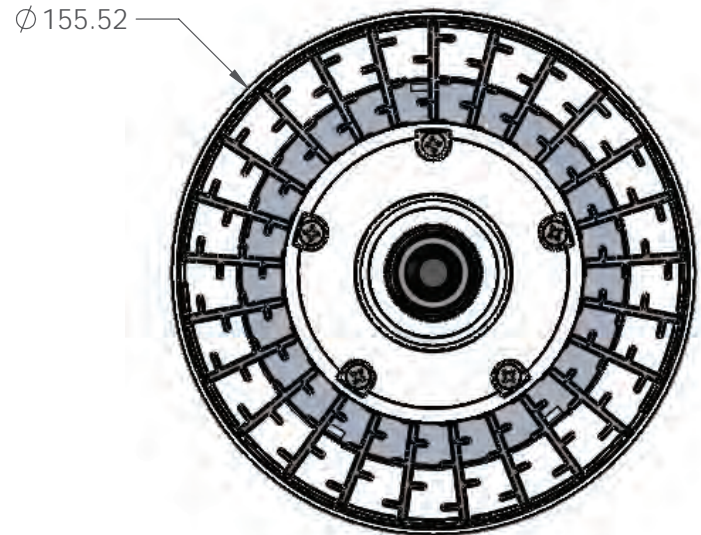
The Lucy Lamp E26 100W vertical lamp photometrics.
LM-79 REPORT NO. 101930332LAX-049



Product Dimensions

Measurements are rounded up. Dimensions are shown in millimeters. Please contact your Lunera representative for exact dimensions.

100W / 70W / 50W



CAUTION

- This lamp is NOT approved for use with line voltage.

Representante Exclusivo

Bosque de Duraznos #69 - Torre B 1107-A
Col. Bosques de las Lomas, México DF. 11700
Tel: +52 55 5251 2008
info@bhpenergy.mx / ventas@bhpenergy.mx

© 2015 BHP Energy México Todos Los Derechos Reservados
www.bhpenergy.mx

