

Type Date

Model # Prepared by

Project

Comments

GL Series

LED Parking Garage and Canopy Luminaire

Applications include parking garages, retail and canopies.

Specification Features

Construction

Two piece marine-grade aluminum die-cast housings are secured together with six (6) stainless steel fasteners on top housing. Both housing components have vents cast into the outer part of the housings to provide airflow for superior thermal management improving the efficiency of the LEDs and extending their life. One piece formed silicone gasket provides water-tight and dust-tight seal for IP68 listing.

LED MCPCB is attached to the bottom casting heat sink with a silicon base interface pad providing a high degree of thermal conductivity.

Mounting

Luminaire has heavy-duty galvanized steel bracket mounted with four stainless steel bolts to the top of the luminaire. A galvanized steel mounting/junction box attaches to the luminaire bracket. Mounting/junction box is attached to the ceiling with hardware by others. Special installation applications may require other mounting hardware to be provided by others.

Optics

A one-piece injection molded lens assembly has individual four-sided lens segments for each LED in the specified beam angle including a medium (M) and wide (W) distributions. Reflector assembly is coated with a high grade specular material providing high efficiency and excellent light control with excellent uniformity. Luminaire is IDA approved Dark Sky Friendly with zero uplight beyond 90° zone.

Electrical

Constant current driver is 120-277V and has a >0.95% high efficiency rating. Driver has short circuit, over current and over voltage(4kV surge) protection built in. Normal operating range is -40°C to 70°C and thermal protection will shut down the driver and driver will recover automatically after the temperature returns to <75°C. Driver is mounted to the top casting with a torsion bracket providing a positive heat sink. A six(6) foot 3-wire power cord passes thru a water-tight connector in the top casting to facilitate wiring into a junction box provided by others.



Finish

The castings undergo a five stage intensive pretreatment process where they are thoroughly cleaned, phosphated and sealed. A high quality polyester powder coating provides excellent salt and humidity resistance as well as ultra violet resistance for color retention.

Listings and Ratings

U.L. 1598/8750 listed; IP68 rated. Tested to IESNA LM-79-08 and LM-80 test standards at 25° C ambient. IES files are available at www.eyelighting.com/GLSeries.

Warranty

5 Year Limited LED Luminaire Warranty to the original purchaser that the luminaire shall be free from defects in material and workmanship for up to five (5) years from date of shipment. This limited warranty covers the fixture, LED driver and LEDs when installed and operated according to manufacturer's instructions. See EYE Lighting's full Warranty and Terms & Condition of Sale at www.eyelighting.com.

Order Guide

SAMPLE NUMBER: GLS-100-407-M-U-DG

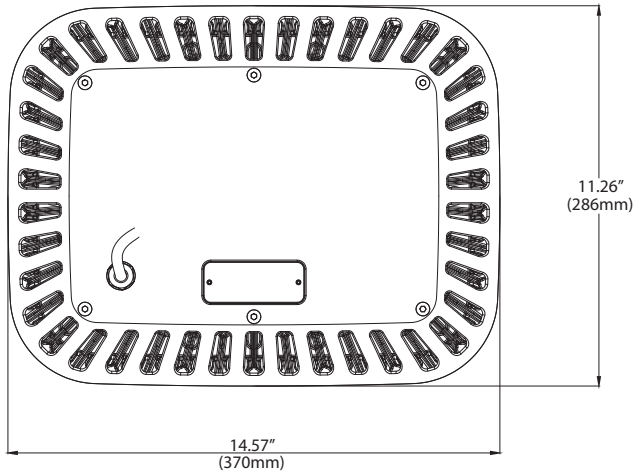
FAMILY	MOUNTING	WATTAGE	CCT	CRI	DISTRIBUTION	VOLTAGE	FINISH
GL	S = Surface	100 120 150	40 = 4000K	7 = 70	M = Medium 60° W = Wide 110°	U = 120-277V	DG = Dark Gray

GL Series

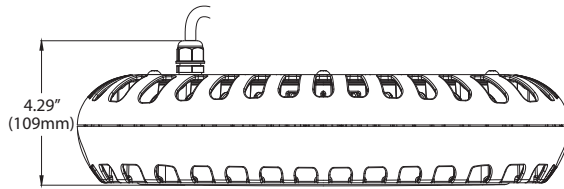
LED Parking Garage and Canopy Luminaire

Dimensions

TOP VIEW

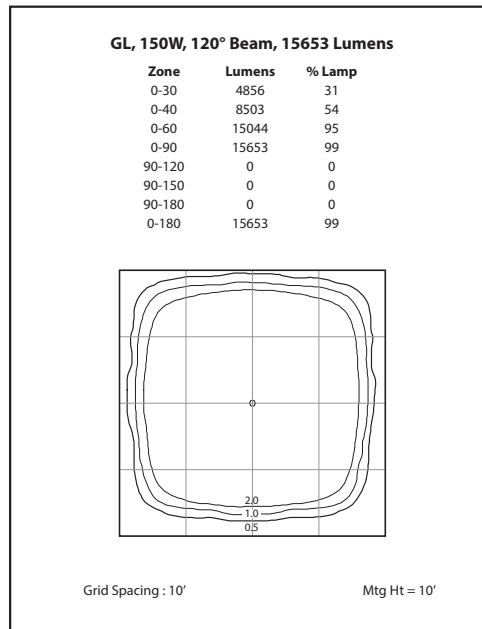
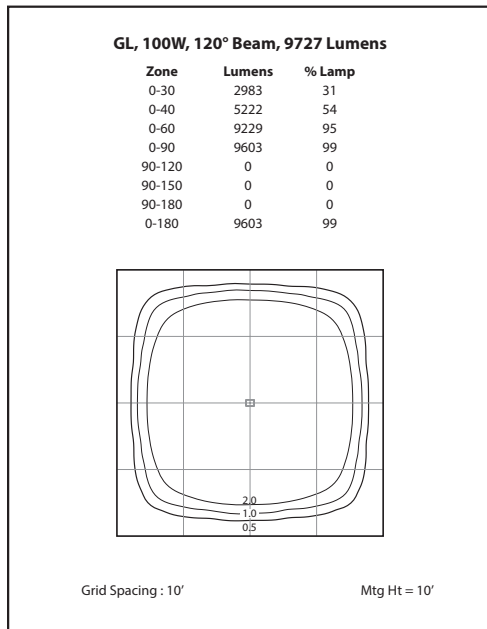


SIDE VIEW



WEIGHT 21 lbs.

Photometrics



Representante Exclusivo



Bosque de Duraznos #69 - Torre B 1107-A
Col. Bosques de las Lomas, México DF. 11700
Tel: +52 55 5251 2008
info@bhpenery.mx
ventas@bhpenery.mx