

FINO®

ASYMMETRIC WALL MOUNT INDIRECT LED

APPLICATIONS:

Commercial and hospitality wall mounted indirect lighting for washing ceiling or floor

CONSTRUCTION:

2 pc construction: 5/8" deep extruded aluminum mud-in frame with gear and snap-in extruded aluminum optical assembly
 Fixture lengths available in 6" increments (minimum 1')
 Extruded latching system for hairline seams
 Field replaceable LED board

OPTICS:

6w/ft or 12w/ft LED boards
 Color Temp: 2700K, 3000K, 3500K, 4000K
 CRI: 80 typ
 Life: 50,000 hrs
 Lumen Maintenance: >70% of initial lumens @ 50,000 hrs
 Lumen output (3500K): 533 lm/ft (6w), 950 lm/ft (12w)
 Engineered optical performance lens with internal asymmetric high reflectance white reflector (standard)
 Optional Amerlux® exclusive designer lens for softer beam edges

ELECTRICAL:

Electronic constant current LED driver, 36" min., 8'-0" max. per driver. Must daisy chain min. 36" of fixture for short runs (driver on 1st fixture, daisy chain to others).
 120v or 277v input
 0-10v dimming to 10%, driver is accessible by removing LED module
This product complies with IEEE C62.41 for surge endurance up to 2.5KV. Amerlux recommends using additional surge protection with this unit (supplied by others), surge damage is not covered by warranty.

MOUNTING:

For use in sheet rock walls
 Extruded latching system for hairline seams

LABELING:

 For indoor use only
 IC rated
 Damp location

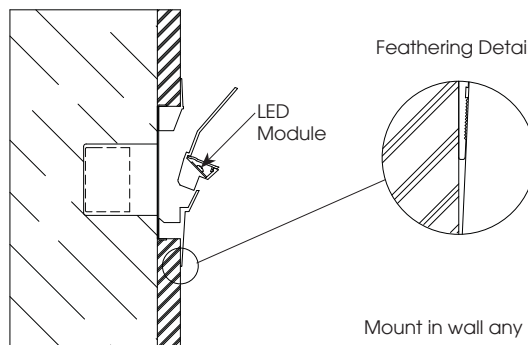
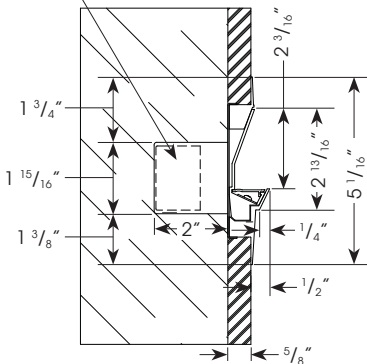
FINO
LED



PROJECT:

TYPE:

Driver Compartment, fits between studs, sliding lateral adjustment (9" long)



Cut Out Dimension:
 4' fixture = 3 5/8" x 4'
 Continuous runs = 3 5/8" x fixture length + 1"

Mount in wall any orientation

Uplight

Downlight



Electrostatic sensitive device,
 observe precautions for
 handling

ELECTRICAL

Electronic driver

Wattage per foot		4'		8'	
		System watts	Amps	System watts	Amps
6	120v	24	0.20	48	0.40
	277v	24	0.09	48	0.17
12	120v	48	0.40	96	0.80
	277V	48	0.17	96	0.35

ORDERING INFORMATION:

Model	Wattage Per Foot	Lamp Type	Color Temp	Finish	Voltage	Length	Configuration	Options/Accessories
FINO	6 12	LED	2700 3000 3500 4000	HW - high reflectance white	120/277	1' 2' 3' 4' 5' 6' 7' 8'	IND - individual CON - continuous runs in excess of 8'	DL - Amerlux® designer lens HILUME - Lutron Hi-lume® dimming driver

*Note - For 12w fixtures - Due to driver limitations, not all output & length configurations are possible. Please consult factory.

Example: FINO-6-LED-3500-HW-120-4-IND

Cat #:

Amerlux reserves the right to change details that do not affect overall function and performance.



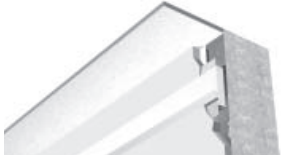
10 year limited warranty
 AMERLUX LED
 (see website for details)

FINO °

ASYMMETRIC WALL MOUNT INDIRECT LED



TYPE:

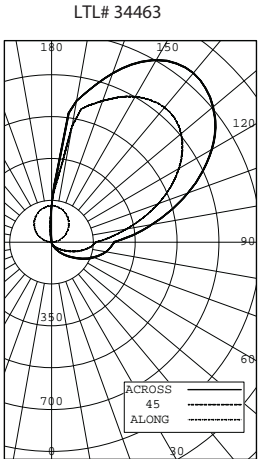
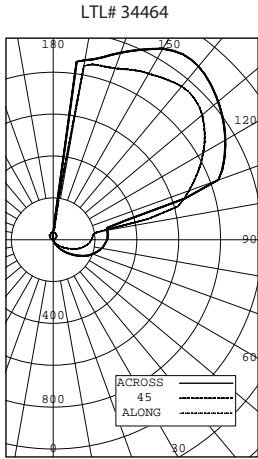


FIXTURE DATA:

Complete photometric data (.ies format) available upon request.

FINO 6W/FT LED 4' IND
SOURCE: 120 WHITE LEDS LUMENS/FT: 533 (3500K)
RECESSED

FINO 6W/FT LED 4' IND WITH DESIGNER LENS
SOURCE: 120 WHITE LEDS LUMENS/FT: 442 (3500K)
RECESSED



ZONAL LUMEN SUMMARY

Zone	Lumens	%Lamp	%Fixt
0-30	2	N/A	0.11
0-40	9	N/A	0.44
0-60	56	N/A	2.63
0-90	255	N/A	11.97
40-90	246	N/A	11.52
60-90	199	N/A	9.34
90-180	1877	N/A	88.03
0-180	2132	N/A	100.0

Total Luminaire Efficacy = 82.6 lumens/watt

COEFFICIENTS OF UTILIZATION
Effective Floor Cavity Reflectance 20%

RC	80			
	70	50	30	10
RW				
RCR				
0	0.98	0.98	0.98	0.98
1	0.87	0.83	0.78	0.74
2	0.79	0.71	0.64	0.59
3	0.71	0.62	0.54	0.48
4	0.65	0.54	0.46	0.40
5	0.59	0.47	0.40	0.34
6	0.54	0.42	0.34	0.29
7	0.50	0.38	0.30	0.24
8	0.46	0.34	0.26	0.21
9	0.42	0.31	0.23	0.18
10	0.39	0.28	0.21	0.16

ZONAL LUMEN SUMMARY

Zone	Lumens	%Lamp	%Fixt
0-30	2	N/A	0.12
0-40	8	N/A	0.47
0-60	49	N/A	2.76
0-90	237	N/A	13.42
40-90	229	N/A	12.95
60-90	189	N/A	10.66
90-180	1532	N/A	86.58
0-180	1769	N/A	100.0

Total Luminaire Efficacy = 68.6 lumens/watt

COEFFICIENTS OF UTILIZATION
Effective Floor Cavity Reflectance 20%

RC	80			
	70	50	30	10
RW				
RCR				
0	0.98	0.98	0.98	0.98
1	0.87	0.82	0.78	0.74
2	0.79	0.70	0.64	0.58
3	0.71	0.61	0.54	0.48
4	0.65	0.54	0.46	0.40
5	0.59	0.47	0.39	0.33
6	0.54	0.42	0.34	0.28
7	0.50	0.37	0.30	0.24
8	0.46	0.34	0.26	0.21
9	0.42	0.30	0.23	0.18
10	0.39	0.28	0.21	0.16