

CURVANO LINEAR

LINEAR DIRECT LED

APPLICATIONS:

Commercial, retail and supermarket direct ambient/aisle lighting

CONSTRUCTION:

One piece extruded aluminum housing
Internal components are die-formed galvanized and cold-rolled steel
Individual housing lengths, including end caps, 49 3/4" or 97 3/4"
Continuous rows can be provided to the nearest foot
High reflectance white finish. For other finishes, consult factory

OPTICS:

Die-formed high reflectance white powder coat reflector.

Lens: Flush mounted snap-in lens, made of 100% acrylic. Custom formulation of acrylic for lamp image diffusion and maximum light transmission. Proprietary Batwing optics optional.

ELECTRICAL:

Electronic, multi-volt (120v-277v) constant current driver
0-10v dimming standard

This product complies with IEEE C62.41 for surge endurance up to 3KV. Amerlux® recommends using additional surge protection with this unit (supplied by others), surge damage is not covered by warranty.

Emergency circuit via remote inverter or auxiliary emergency power supply (by others)

MOUNTING:

Aircraft cable suspension
Fixtures may be continuously row-mounted, consult factory

LABELING:



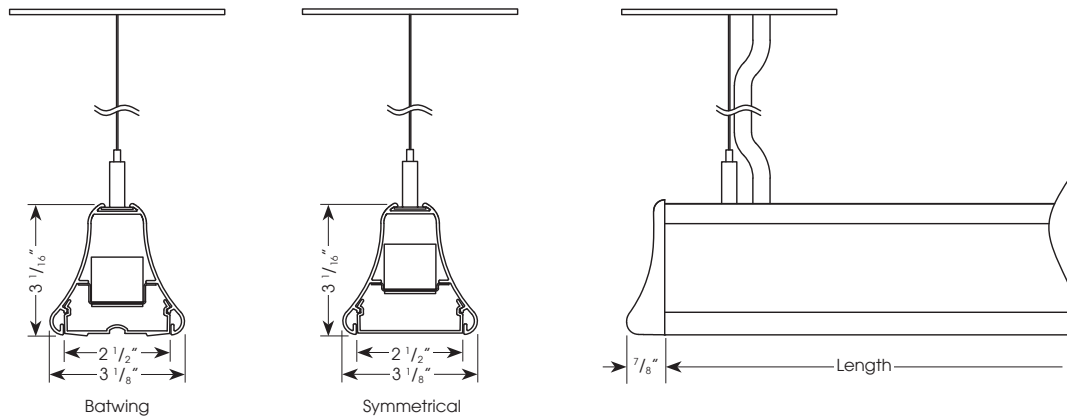
For indoor use only

CRV-D
LED



PROJECT:

TYPE:



ELECTRICAL

Electronic driver

Wattage per foot		4'		8'	
		System watts	Amps	System watts	Amps
5	120v	20	.17	40	.33
	277v	20	.07	40	.14
10	120v	40	.33	80	.67
	277v	40	.14	80	.29



Enlightened Sensor (optional)

10 year limited warranty
AMERLUX LED

(see website for details)

ORDERING INFORMATION:

Model	Light Distr./Shielding	Mounting	Wattage	Lamp Type	Color Temp	Finish	Voltage	Length	Configuration	Options
CRV-D	SYM - symmetrical lens	ASW10 - aircraft cable with straight feed, (18ga., 5 conductor) white, 10'	5 10	LED	2700 3000 3500 4000	HW - high reflectance white ____ - ____ (other RAL)	120/277	4 8 ____ (run to nearest foot)	IND - individual BOR - beginning of run MOR - middle of run EOR - end of run	HILUME-DH - Lutron Hi-lume® 3 wire, 1% dim HILUME-ECO - Lutron Hi-lume® EcoSystem, 1% dim DALI - DALI driver ENLF - Enlightened Sensor

Example: CRV-D-BAT60-ASW10-10-LED-3500-HW-120/277-4-IND

Cat #:

Amerlux reserves the right to change details that do not affect overall function and performance.

CURVANO LINEAR

LINEAR DIRECT LED

CRV-D
LED



TYPE:

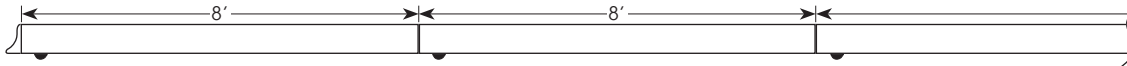


STANDARD PLACEMENT(S) FOR (OPTIONAL) ENLIGHTENED SENSOR:

4 FT OR 8 FT DIRECT



RUNS



CURVANO LINEAR

LINEAR DIRECT LED

CRV-D
LED



TYPE:



FIXTURE DATA:

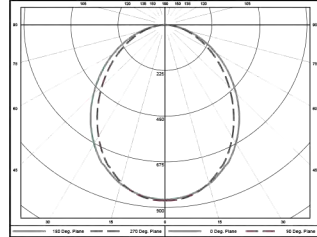
CCT Correction Factors: 2700 = 0.92; 3500 = 1.08; 4000 = 1.17

Complete photometric data (ies format) available upon request.

SYMMETRICAL LENS

CURVANO DIRECT 5W LED 4FT 3000K
SOURCE: LED LUMENS: 1997 (499 lm/ft)
PENDANT

LTL# 1048965



ZONAL LUMEN SUMMARY

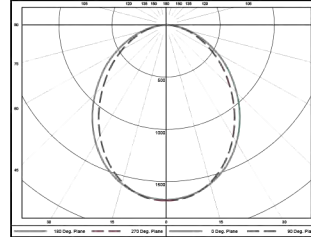
Zone	Lumens	%Fixt
0-40	1008	50.5
0-60	1474	82.5
0-90	1997	100.00
90-180	0	0.00

Efficacy = 100.6 Lumens /Watt

SYMMETRICAL LENS

CURVANO DIRECT 10W LED 4FT 3000K
SOURCE: LED LUMENS: 3868 (967 lm/ft)
PENDANT

LTL# 1048966



ZONAL LUMEN SUMMARY

Zone	Lumens	%Fixt
0-40	1949	50.4
0-60	2852	82.4
0-90	3868	100.00
90-180	0	0.00

Efficacy = 93.5 Lumens /Watt

UTILIZATION OF LUMENS

Effective Floor Cavity Reflectance 20%

RC	80			
RW	70	50	30	10
RCR				
0	2377	2377	2377	2377
1	2185	2095	2014	1942
2	1999	1843	1713	1605
3	1832	1631	1476	1352
4	1684	1455	1288	1159
5	1555	1308	1136	1009
6	1441	1184	1012	889
7	1340	1079	910	791
8	1250	988	824	711
9	1171	911	751	644
10	1100	843	689	587

UTILIZATION OF LUMENS

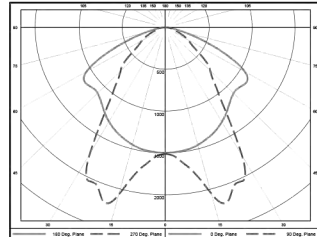
Effective Floor Cavity Reflectance 20%

RC	80			
RW	70	50	30	10
RCR				
0	4605	4605	4605	4605
1	4231	4057	3900	3759
2	3870	3567	3317	3106
3	3546	3157	2857	2617
4	3261	2817	2492	2243
5	3011	2532	2198	1952
6	2789	2292	1959	1719
7	2594	2088	1760	1531
8	2421	1913	1594	1375
9	2266	1762	1454	1245
10	2129	1631	1334	1136

BATWING 60° DIRECT

CURVANO DIRECT 10W LED 4FT 3000K
SOURCE: LED LUMENS: 4370 (1093 lm/ft)
PENDANT

LTL# 1048968



ZONAL LUMEN SUMMARY

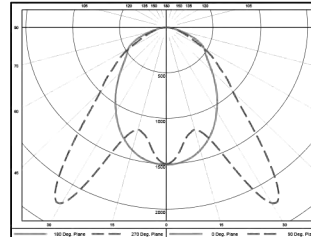
Zone	Lumens	%Fixt
0-40	2494	57.1
0-60	3414	88.9
0-90	4370	100.00
90-180	0	0.00

Efficacy = 107.1 Lumens /Watt

BATWING 80° DIRECT

CURVANO DIRECT 10W LED 4FT 3000K
SOURCE: LED LUMENS: 4303 (1076 lm/ft)
PENDANT

LTL# 1048967



ZONAL LUMEN SUMMARY

Zone	Lumens	%Fixt
0-40	2075	48.2
0-60	3308	85.2
0-90	4303	100.00
90-180	0	0.00

Efficacy = 105.4 Lumens /Watt

UTILIZATION OF LUMENS

Effective Floor Cavity Reflectance 20%

RC	80			
RW	70	50	30	10
RCR				
0	5202	5202	5202	5202
1	4829	4653	4494	4352
2	4451	4139	3880	3663
3	4101	3693	3378	3126
4	3784	3312	2967	2704
5	3500	2987	2629	2364
6	3246	2708	2347	2088
7	3018	2467	2111	1860
8	2815	2259	1910	1670
9	2633	2078	1738	1509
10	2470	1920	1590	1371

UTILIZATION OF LUMENS

Effective Floor Cavity Reflectance 20%

RC	80			
RW	70	50	30	10
RCR				
0	5123	5123	5123	5123
1	4723	4535	4367	4215
2	4317	3984	3709	3478
3	3946	3513	3178	2912
4	3615	3116	2752	2473
5	3322	2782	2405	2127
6	3063	2500	2122	1850
7	2834	2259	1887	1626
8	2632	2054	1691	1441
9	2452	1878	1526	1288
10	2293	1725	1385	1159

BHP Energy México S. de R.L de C.V.
Representante Exclusivo

Tel: +52 55 5251 2008 / ventas@bhpenergy.mx
www.bhpenergy.mx

© 2016 BHP Energy México Todos Los Derechos Reservados