

CLASSIX 6" LENSED DOWNLIGHT

6" ROUND LENSED DOWNLIGHT LED

CLX-RLD6
LED

APPLICATION:

Commercial & hospitality ambient lighting

CONSTRUCTION:

20 ga. galvanized steel frame
18 ga. galvanized steel splice housing and hanger brackets
Passive cooling
Die-cast aluminum heat sink

ELECTRICAL:

Electronic constant current LED driver, 120v or 277v input
This product complies with IEEE C62.41 for surge endurance up to 2.5KV. Amerlux® recommends using additional surge protection with this unit (supplied by others), surge damage is not covered by warranty.

MOUNTING:

For use in T-grid or sheet rock ceilings
Hanger bars included

OPTICS:

Spun aluminum matte semi-diffuse aperture cone
Very Wide Flood beam distribution

LED:

Color Temp Options: 2700K, 3000K, 3500K, 4000K

CRI: 83 typ. (2700K, 3000K, 3500K, 4000K)

97 typ. (2700K, 3000K)

Crisp White LED available


Binning: 3 MacAdam

Life: 50,000 hrs

Lumen Maintenance: >70% of initial lumens @ 50,000 hrs

Lumen Output (3000K): up to 3647 lm; 78.1 lpw

LABELING:

 pending
Damp location



PROJECT:

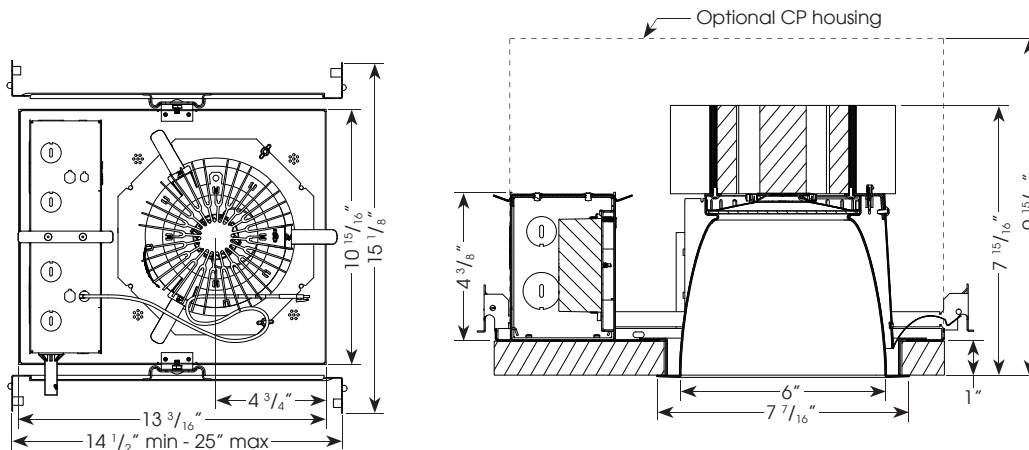
TYPE:



Electrostatic sensitive device,
observe precautions for
handling

5 year limited
warranty
AMERLUX LED

(see website for details)



Ceiling Cut Out Dimension: 7" dia.

ELECTRICAL

Electronic driver

	25w		34w		45w		52w	
	System Watts	Amps	Systems Watts	Amps	Systems Watts	Amps	Systems Watts	Amps
120v	25	0.21	34	0.28	45	0.38	52	0.43
277v	25	0.09	34	0.12	45	0.16	52	0.19

ORDERING INFORMATION:

HOUSING:					REFLECTOR/LED OPTIC:			
Model	Wattage	Lamp Type	Voltage	Options	Model	Aperture Cone Finish/Flange Finish	Beam Spread	Color Temp
CLX-RLD6	25	LED	120	0-10V - 0-10v dimming	CLX-RLD6	SDW - semi-diffuse/white	VWF - very wide flood	83 CRI
	34		277	HILUME - Lutron HI-lume® EcoSystem 3				2700
	45			wire, 1% dimming				3000
	52			(25w & 34w only)				3500
				DALI - DALI driver				4000
				(25w, 34w, & 45w only)				97 CRI
				EM - emergency battery pack (not for use with CP housing)				2700-97
				CP - Chicago plenum				3000-97
								CRISP - crisp white

Complete Unit Example: CLX-RLD6-34-LED-120/CLX-RLD6-SDW-VWF-3000

Housing Example: CLX-RLD6-34-LED-120

Reflector Example: CLX-RLD6-SDW-VWF-3000

Cat #:

Amerlux® reserves the right to change details that do not affect overall function and performance.

CLASSIX 6" LENSED DOWNLIGHT

6" ROUND LENSED DOWNLIGHT LED

CLX-RLD6
LED



TYPE:



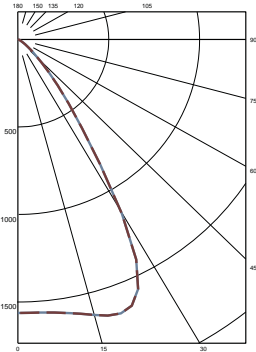
FIXTURE DATA: For 34w data, multiply by 52w data by 0.65; For 45w data, multiply 52w data by 0.87

Complete photometric data (ies format) available upon request.

CCT Correction Factors: 2700-97 = 0.77; 2700-83 = 0.92; 3000-97 = 0.84; 3500-83 = 1.08; 4000-83 = 1.17

25W LED

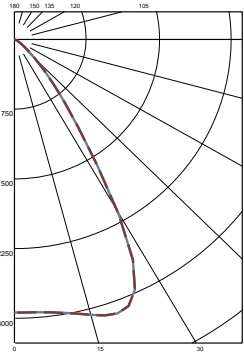
LTL # 1031470



Candelas at Nadir	
Deg	Candela
0	1563
5	1566
15	1629
25	1573
35	617
45	181

52W LED

LTL # 1031470

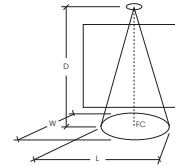


Candelas at Nadir	
Deg	Candela
0	2938
5	2945
15	3067
25	2969
35	1167
45	343

APPLICATION DATA:

Notes and Definitions:

Beam spread is to 50% center beam candlepower (CBCP).
 D=Distance to floor or wall.
 FC=Footcandles on floor or wall at center beam aiming location.
 L=Effective Visual Beam length in feet (50% of maximum footcandle level).
 W=Effective Visual Beam width in feet (50% of maximum footcandle level).
 CB=Distance across or down to center beam location.



25W LED



0° Aiming Angle
Horizontal
Footcandles

D	FC	L	W
5.0'	63	5.6	5.6
7.5'	28	8.6	8.6
10.0'	16	11.4	11.4
12.5'	10	14.5	14.5

52W LED



0° Aiming Angle
Horizontal
Footcandles

D	FC	L	W
5.0'	118	5.6	5.6
7.5'	53	8.6	8.6
10.0'	30	11.4	11.4
12.5'	19	14.4	14.4

CLASSIX 6" LENSED DOWNLIGHT

6" ROUND LENSED DOWNLIGHT LED

CLX-RLD6
LED



TYPE:



DIMMING COMPATIBILITY:

Amerlux® fixtures are compatible with all major dimming protocols prevalent in the United States. Please see below for general compatibilities and wiring diagrams. Amerlux recommends testing your unique dimming configuration as the exact full configuration (Dimmer, Fixture Quantity, Voltage, etc) may affect dimming performance.

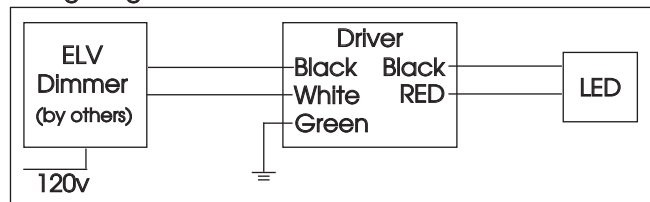
ELV - Electronic Low Voltage (Reverse Phase) DIMMING (standard)

Utilizes specialized "ELV" dimmers. Best for New Construction applications

Notes:

- 120v or 277v
- Dims down to less than 5% light output (most cases)
- Consult Dimming manufacturer for installation Instructions - DO NOT SHARE NEUTRALS!
- Must meet dimmer Minimum Load Requirements

Wiring Diagram



Compatible Dimmers

Wall Box (ELV Style)

Lutron "Diva"
Lutron "Nova-T"
Lutron "Maestro"
Leviton "Surslide"

Lutron "Vareo"
Lutron "Skylark"

Leviton "Vizio"

Central System

ETC "SR" Rack w/ELV10 Module
Lutron "GP" Panel with PHPM-PA Interface

ETC "DRD" Rack w/ELV10 Module
Lutron Grafix Eye QS with PHPM-PA Interface

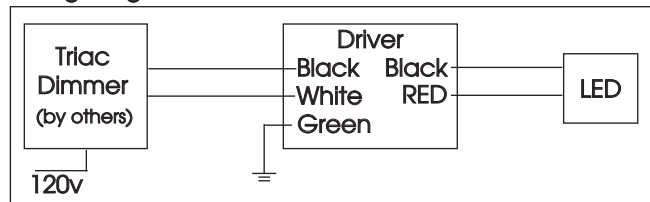
TRIAC (Forward Phase) DIMMING (standard)

Utilizes "Standard" incandescent dimmers that are in wide use in installations across the US. Best for retrofit applications where Triac dimmers are installed.

Notes:

- 120v or 277v
- Dims down to less than 5% light output (most cases)
- Consult Dimming manufacturer for installation Instructions - DO NOT SHARE NEUTRALS!
- Must meet dimmer Minimum Load Requirements per dimming manufacturer

Wiring Diagram



Compatible Dimmers

Wall Box (Incandescent Style, Wattage as required)

Lutron "Diva"
Lutron "Nova-T"
Lutron "Maestro"

Lutron "Vareo"
Lutron "Skylark"

Central System

ETC "SR" Rack w/D20 Module
Lutron "GP" Panel

ETC "DRD" Rack w/D20 Module
Lutron Grafix Eye QS

CLASSIX 6" LENSED DOWNLIGHT

6" ROUND LENSED DOWNLIGHT LED

CLX-RLD6
LED



TYPE:



LUTRON HI-LUME / ECO-SYSTEM (-DIM-HILUME Option)

Integrates into a variety of building management and daylighting controls

Notes:

- 120v or 277v
- Dims down to less than 5% light output
- May use 3-Wire or Ecosystem Control
- Consult Dimming manufacturer for installation instructions - DO NOT SHARE NEUTRALS!

Compatible Dimmers

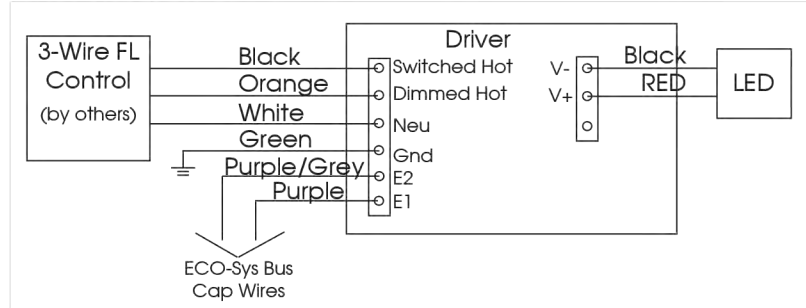
Wall Box (3-Wire Fluorescent)

DIVA
Maestro
Nova T
Vareo

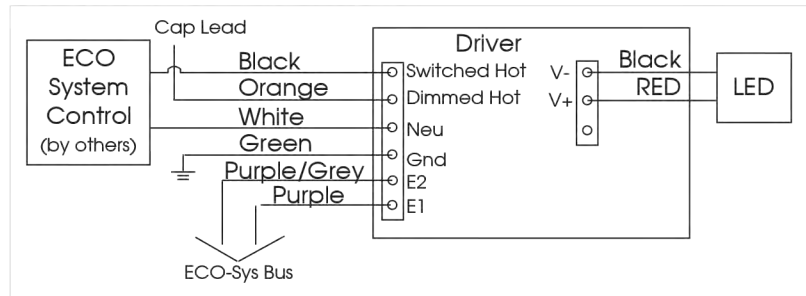
Central System

Lutron ECO-System compatible controls
ETC "SR" Rack w/D20F Module
ETC "DRD" Rack w/D20F Module

3-Wire Wiring Diagram



ECO System Digital Control Wiring



0-10V - DIMMING (-0-10V Option)

Integrates into a variety of building management and daylighting controls

Notes:

- 120v - 277v
- Dims down to less than 10% light output
- Requires interface to turn off power to driver
- Consult Dimming manufacturer for installation instructions - DO NOT SHARE NEUTRALS!

Compatible Dimmers

Wall Box

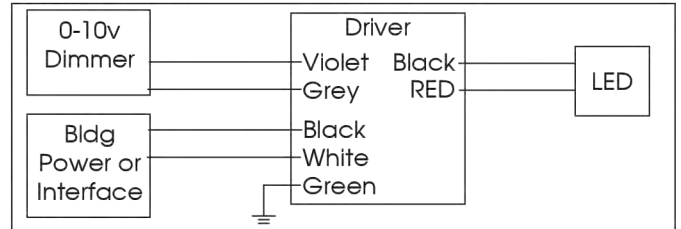
Lutron "Diva" - DVTV with
PP-120H Interface

Leviton Renoir II 0-10v

Central System

Lutron Grafix Eye with
GRX-TV1 Interface

Wiring Diagram



Representante Exclusivo

BHP Energy México S. de R.L de C.V

Bosque de Duraznos #69 - Torre B 1107-A, Col.Bosques de las Lomas, México DF. 11700
Tel: +52 55 5251 2008 / info@bhpenery.mx / ventas@bhpenery.mx / www.bhpenery.mx