

ACION

LARGE LED ACCENT

U.5.1.15

The Amerlux Accent luminaire employs solid state technology and precision engineering to provide small scale LED solutions in landscape and architecture layouts. All components are encapsulated inside a single attractive enclosure designed for superior performance in weather resistant applications. Offered in a choice of beam spreads, finishes, and color temperatures, two mounting options and glare shield are also available.

CONSTRUCTION:

- IP67 sealed optical chamber and integral driver chamber
- Easy "two-screw" integral driver access, does not disturb optical chamber seal
- Flush lens prevents puddles/water deposits in upward facing applications
- Yoke mount or Knuckle mount available
- Vertical aiming lock, with tamper-resistant tooled locking after final aiming

OPTICS:

- Lumen maintenance: 70% @ 50,000 hours
- 10 ,15 , 30 , 40 , 60 , 60x10, 60x30, 90x60 beam spreads are available
- HGL - Half external glare-shield field installable

ELECTRICAL:

- Integral driver
- Input voltage 120v-277v auto-sensing
- 1/2" NPSM wire entry
- Drive current 700mA
- Power consumption 17W
- ELV dimmable at 120v only

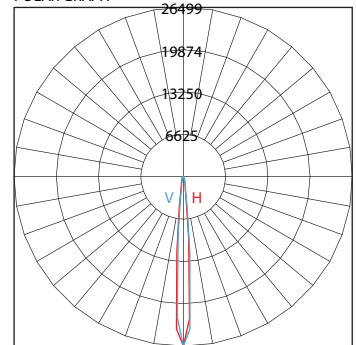
ACCL
LED



PROJECT:

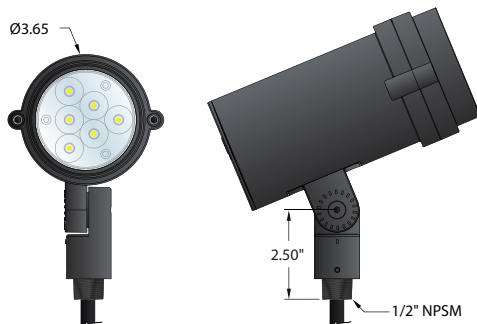
TYPE:

POLAR GRAPH



Maximum Candela = 26499
Located At Horizontal Angle = 0, Vertical Angle = 0
H - Horizontal Axial Candela
V - Vertical Axial Candela

Knuckle Mount (K)



Yoke Mount (Y)



ORDERING INFORMATION:

Model	CCT	CRI	Approximate Lumens	Total Efficacy	Mounting	Finish	Accessories
ACCL	27 (2,700K)	80	1,250 lm	73 lm/W	K (Knuckle) Y (Yoke)	BLK,CLB	HGL Half Glare Shield
	30 (3,000K)	80	1,370 lm	80 lm/W		GRN,TBK	
	40 (4,000K)	70	1,500 lm	88 lm/W		WHT,Custom	

Ordering options in BOLD



10 year limited warranty
AMERLUX LED



Part String

Example: ACCL / 30 / K / BLK

Representante Exclusivo

BHP Energy México S. de R.L de C.V

Bosque de Duraznos #69 - Torre B 1107-A, Col.Bosques de las Lomas, México DF. 11700
Tel: +52 55 5251 2008 / info@bhpenery.mx / ventas@bhpenery.mx / www.bhpenery.mx

