

SALVUS SITE AND AREA LUMINAIRE CANTILEVER STYLE

U.11.26.14

Using design and performance as our criteria our Salvus Site and Area luminaires are sure to be the talk of the town for lighting designers and architects. We have incorporated a contemporary low profile design and the latest LED technology to provide an energy efficient option to fit any new or existing retrofit application. With up to 60% greater efficiency versus current less efficient lighting technology products, these LED products will begin to save money the instant they are installed. Designed to provide for easy, one person installation, suitable for use mounted above 14 feet from the ground.

INSTALLATION:

The luminaire side mounts to a 4-5" OD round or minimum 4" square pole. Easy pole mount bracket allows one person installation.

CONSTRUCTION:

- Die-Cast aluminum body
- Rated IP66
- Clear smooth UV stable polymeric lens
- Easy access wiring door

LIFE:

50,000+ hours

EPA:

0.76

DRIVER:

Convection and conductively cooled, thermally isolated integral driver with electronic constant current operation with over voltage and short circuit protection. Also features thermal foldback for abnormal operating conditions. Automatic voltage sensing for 120 to 277v input. 0-10 volt dimmable.

MOUNTING CLEAT:

For round poles specify **(R)** For square poles specify **(S)**

OPTICS:

- 6 High Performance individual optical lens for each LED array.
- Cool, neutral, or warm color temperatures
- Available in IES Type II, III, IV, or V roadway light distributions

FINISH:

Premium quality thermoset polyester powdercoat for a durable finish in the following:

ANT -Anthracite (Metalic Charcoal Gray)

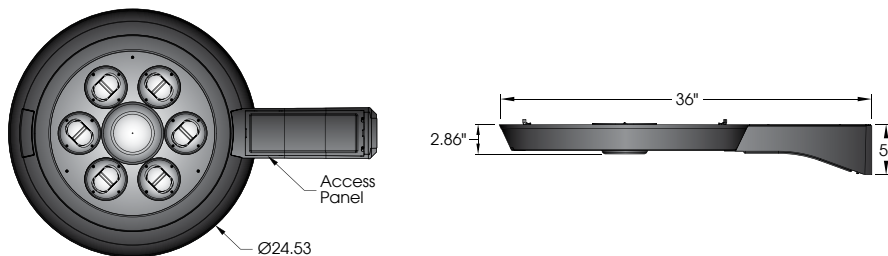
SDS -Silver

BLK -Satin Black

TBK -Textured Black

CLB -Classic Bronze

WHT -White



Ordering Information:

Model	Mounting Cleat	Light Distribution	Order Code	CCT	CRI	Approximate Lumens Delivered	Nominal Input Power	Finish
SAL-C	R (Round) S (Square)	T2 (Type II) T3 (Type III) T5 (Type V)	3L	3,000K	80	13,030-14,160 lm	190W	ANT BLK CLB GRN SDS TBK WHT Custom
			4L	4,000K	80	14,480-15,730 lm		
			5L	5,000K	65	15,780-17,140 lm		
			3M	3,000K	80	15,630-16,990 lm	265W	
			4M	4,000K	80	17,370-18,880 lm		
	5M	5,000K	65	18,940-20,570 lm	330W			
	3H	3,000K	80	18,760-20,390 lm				
	4H	4,000K	80	20,850-22,650 lm				
	5H	5,000K	65	22,720-24,690 lm				

SAL-C
LED



PROJECT:

TYPE:



Electrostatic sensitive device.
observe precautions for handling

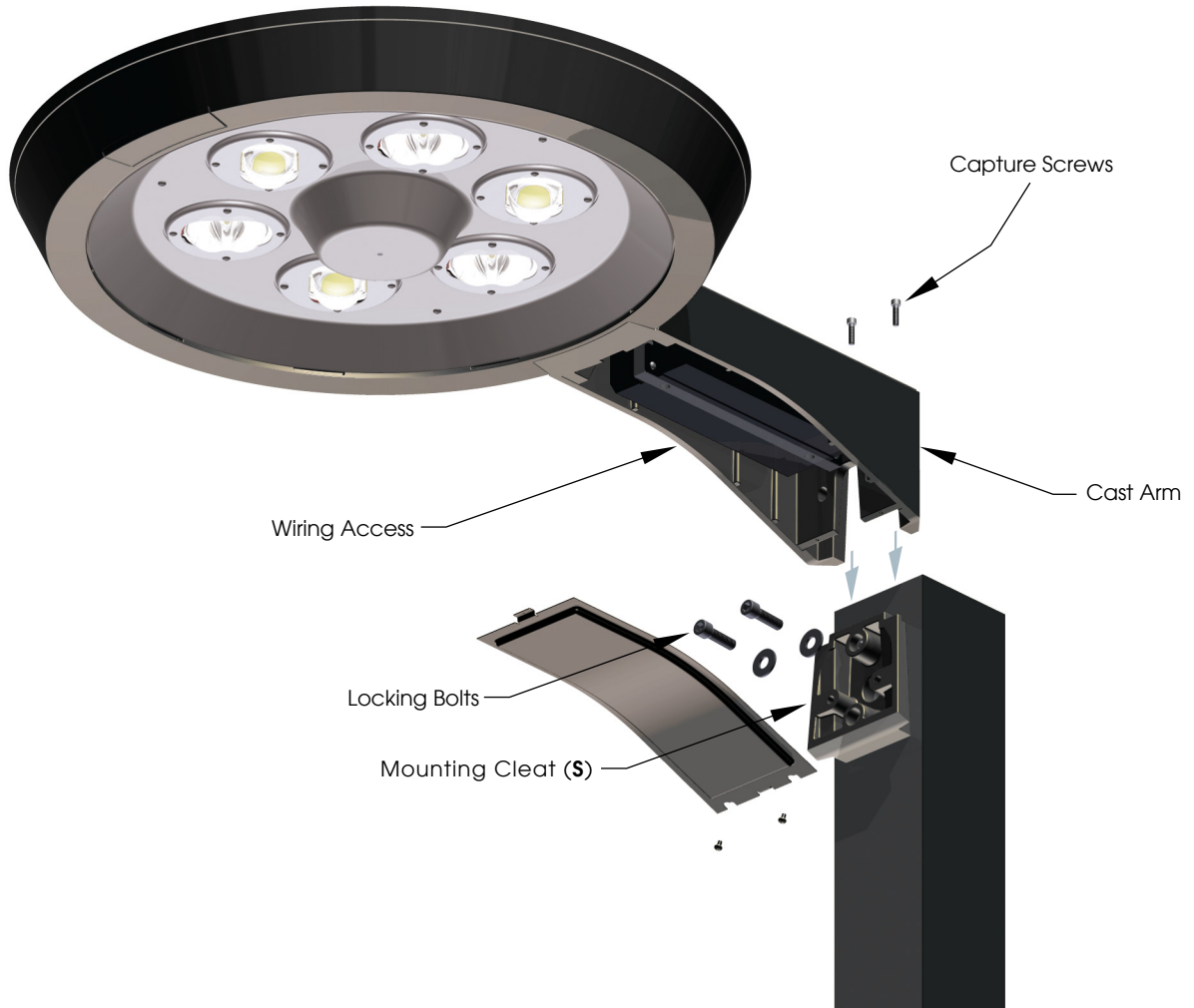
10 year limited
warranty
AMERLUX LED



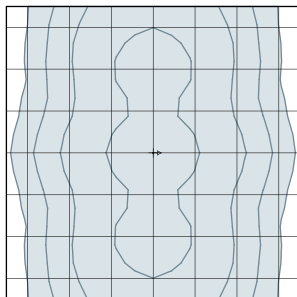
Part String

Example: SAL-C-H / T2 / 3L / ANT

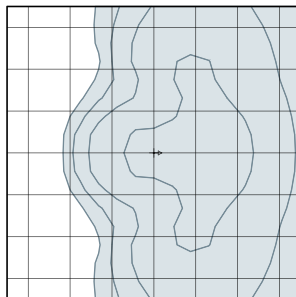
SALVUS SITE AND AREA LUMINAIRE CANTILEVER



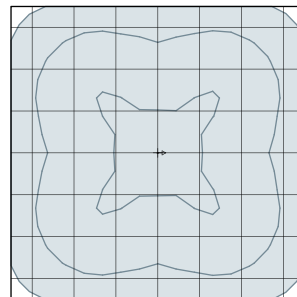
Typical Photometry for 5000K at 20ft mounting height Scale: 1 grid unit = 10 Ft



Type II



Type III



Type V