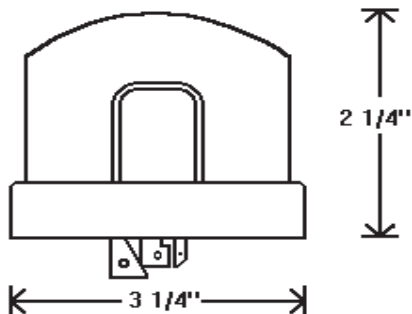


S Series

Cadmium sulfide sensor solid state photocontrols



“Optimum Performance with Human Eye Response”



S Series Photocontrols

S Series electronic photocontrols have a spectral response that mirrors that of the human eye. Tight On /Off ratios and a cadmium sulfide sensor with minimal sensitivity to invisible light (ultra-violet & infra-red) provide energy savings from minimal burning hours. S Series units have extended life due to non-chatter operation at load break and having the cadmium sulfide sensor operate in a low voltage DC electronic circuit.

Features

- Meets or exceeds ANSI C136.10
- Proven DC circuit design
- Close 1:1.5 on to off operating ratio
- Non-chatter load break
- Light level sensing with a spectral response similar to visible light (not sensitive to UV & IR)
- Heavy duty construction

Specifications

Housing:	UV stabilized, impact resistant polypropylene
Base:	High temperature ABS
Contact Blades:	Solid brass, three prong, locking type
Gasket:	Cross linked polyethylene
Packaging:	Individual units are sealed in water resistant plastic
Weight:	3.0 oz. each, 20 lbs. per 100 unit carton
Size:	16" x 16" x 12" per 100 unit carton

Operating Voltage

Load Rating:	1000 Watt tungsten, 1800 VA
Life at rated load:	5,000 Operations (13.7 Years)
Power Consumption:	1.0 watts average @ 120 volts 1.6 watts average @ 208 volts 1.9 watts average @ 240 volts 2.1 watts average @ 277 volts
Moisture Resistance:	100% RH
Standard Surge Protections:	90 Joule (4,500 Amps) MOV 190 Joule (6,500 Amps) MOV 2 190 Joule (13,000 Amps) MOV 380 Joule (10,000 Amps) MOV
Operating Light Levels:	+/- 0.1 fc. from specified turn-on level 1:1.5 Average turn-on to turn-off ratio
Photosensor:	Conformally coated cadmium sulfide photocell Encapsulated cadmium sulfide photocell
Dielectric Strength:	5,000 Volts between any current carrying part
Ambient Temperature Range:	-40°C to +70°C (-40°F to + 158°F)

Ordering Information

S120 - 1.0 - S - T - M - BR

Model #	Turn On	Photosensor	Time Delay	Surge Protection	Color
S120 (105-130V)	1.0 fcs. On	S Standard Cell	_ No Delay**	_ 90J MOV**	_ Per ANSI**
S124 (105-305V)	1.5 fcs. On	E Encapsulated	T 3-5 sec. Delay	M 190 MOV	BR Brown
S240 (195-305V)	2.0 fcs. On			Y 2 190 MOV's	BK Black
S480 (420-530V)	2.5 fcs. On			W 380 MOV	

SX - standard grade electronics

** No Letter

BHP Energy México S. de R.L. de C.V.
Representante Exclusivo

Bosque de Durazos #69 - Torre B 1107-A
Col. Bosques de las Lomas, México DF. 11700
Tel: +52 55 5251 2008
ventas@bhpenergy.mx / www.bhpenergy.mx