

## Luminaire Specifications

### Specification Sheet- GCM2-30H-MV-NW-3-GY-1A

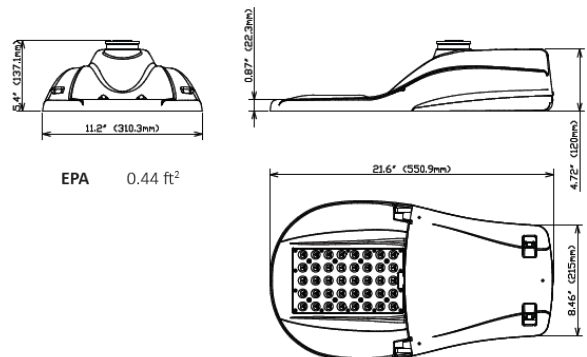
ITEM	DESCRIPTION
Model Type	GCM2-30H-MV-NW-3-GY-1A
LED Configuration	Numbers: 30pcs LED
Nominal CCT (K)	4,000K (typ.)
CRI	≥70
Optical Arrangement	30pcs lens by PC material
Nominal Power Consumption (W) & Drive Current	103W (1A)
Nominal Lumen Output	11,000lm (1A)
Nominal Efficiency (lm/W)	107 lm/W (1A)
BUG Rating	B2-U0-G2
Control and Switching Options	PCR5 ANSI 5-wire; PCR7 ANSI 7-wire Photo control receptacle
Lighting Distribution	IES Type 3
Input Voltage (Vac)	120V-277V (50/60 Hz)
Dimming Method	1 - 10 V
Driver Power Factor	> 0.9
Driver Total Harmonic Distortion	< 20%
Luminaire Material	Cast gray enamel Al housing
Operating Temperature	-20°C - +50°C
Operating Humidity	20% - 90%RH
IP Rating	Optical systems: IP66
	Power supply: IP66
Dimension (mm)	310mm(W) x 551mm(L) x 120mm(H)
Weight (kg)	4.6 kg / 10 lb (power included)



#### Features:

- LED meets LM-80
- Luminaire meets LM-79
- Modularized design for easy maintenance
- Easy installation, tool-less power box access
- Adjustable lighting angle (-5 °~+5 °)
- Shock & vibration resistant
- Minimum power factor of 90% and <20% total harmonic distortion (THD), EMC meets or exceeds FCC CFR part.15
- Integral surge protector meets 10KV
- 10-year limited warranty.
- Light weight with low EPA

#### Dimension: inch [mm]



EPA 0.44 ft<sup>2</sup>