



Project:

Type:

Catalog #:

Prepared by:

Date:

Notes:

General Applications Include

General Applications: Outdoor Floodlighting, Building Façade, Parking and Security or Sign Lighting

Specification Features

Construction

The FG series of low wattage general purpose floodlights, with highly efficient LEDs, are offered in 30W and 50W models suitable for most outdoor and area lighting applications including wet conditions. The housing is designed with integrated heat fins for optimal heat dissipation and overall thermal management to deliver long-lasting service life.

The housing is die-cast, durable aluminum designed to provide enduring service in outdoor elements. The electrical compartment and LED lens compartments have silicone and rubber gaskets for superior sealing.

Mounting

The FG series is offered with two mount options: an adjustable yoke mount (trunnion) with a locking feature to ensure aim positioning, while the knuckle swivel type mount has a bottom stem that aims the light beam to position.

Optics

The LED COB is set in the lens compartment with burnished aluminum reflectors protected by UV resistant tempered glass lenses to deliver maximum light output.

Electrical

A constant current driver accepts 100 to 277V at 50/60hz and has an operating temperature of -20° C to +40° C for the 30W floodlight and -20° C to +35° C for the 50W floodlight. The 3-wire power cord facilitates wiring into a junction box or other source.

Finish

EYE Lighting utilizes a multi-stage cleaning, pretreatment and chemical conversion coating process. A durable polyester powdercoat is then electrostatically applied to a 2 to 3 mil thickness. This process ensures protection from impact, UV and salt spray damage.

Warranty

5 Year Limited LED Luminaire Warranty to the original purchaser that the luminaire shall be free from defects in material and workmanship for up to five (5) years from date of shipment. This limited warranty covers the fixture, LED driver and LEDs when installed and operated according to manufacturer's instructions. See EYE Lighting's full Warranty and Terms & Condition of Sale at www.eyelighting.com.

Listings and Ratings

UL wet location and tested to IESNA LM-79-08 standards at 25° C ambient. IES files are available at www.eyelighting.com.



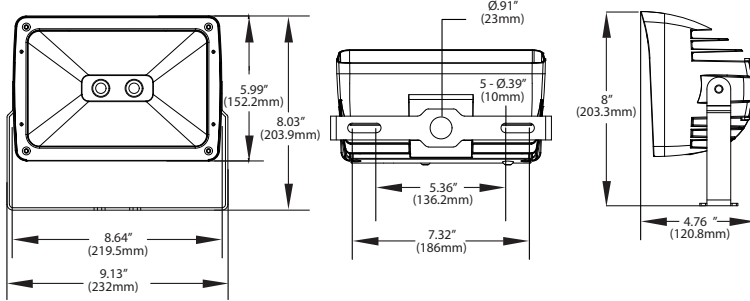
Order Guide

SAMPLE NUMBER : FGY-30-408-W-UNV-DB

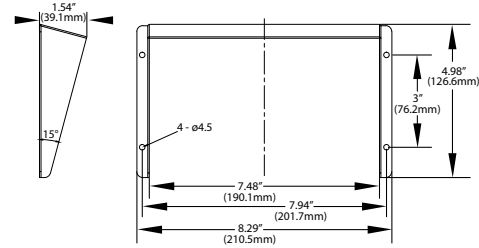
FAMILY	WATTAGE / SOURCE	CCT	CRI	DISTRIBUTION	VOLTAGE	COLOR
FGY = Yoke FGK = Knuckle	30 = 30W LED 50 = 50W LED	40 40 = 4000K	8 8 = 80 CRI	W W = Wide	UNV UNV = 120-277V	DB DB = Dark Bronze

Dimensions

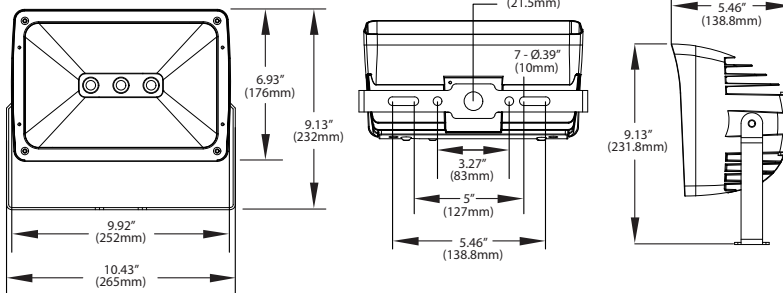
30W



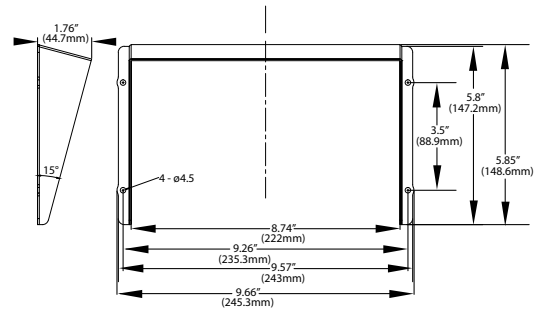
VISORS (Optional Visor, field installed - sold separately)
30W COMPATIBLE



50W



50W COMPATIBLE



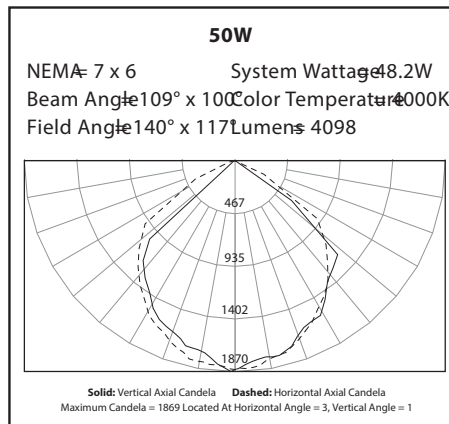
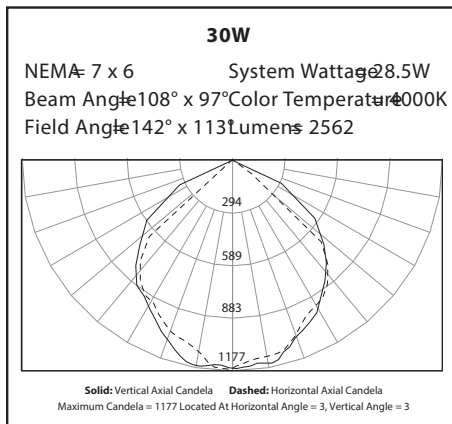
Performance Data
Wattage Summary

LED Model	LED Qty.	Drive Current	Average Lumens	Lumen Maintenance (L70 @ 25°C)	Lumen Maintenance (L70 @ 40°C)
30W	2	354 mA	2200	79,000 hrs.	79,000 hrs.
50W	3	404 mA	3700	79,000 hrs.	79,000 hrs.

Visor Order Guide
(Ordered Separately)

FAMILY	SIZE	COLOR
FG	FG-VIS30-DB	DB
FG	VIS30 = 30W Floodlight Visor	DB
	VIS50 = 50W Floodlight Visor	

Photometric Data



Ambient Data

Ambient Temperature	Lumen Multiplier
15°C	1.00
25°C	1.00
40°C	1.00

Test condition for diode case is 85°C temperature at maximum mA, lumen maintenance at 15°C, 25°C, and 40°C were the same, no lumen depreciation is projected resulting in lumen multiplier of 1.

EPA 30W Flood Yoke Mount:
Front: 0.61ft² Side: 0.32ft²
50W Flood Yoke Mount:
Front: 0.79ft² Side: 0.42ft²

Weight 30W : 4.7 lb (2.14 kg)
50W : 6.7 lb (3.05 kg)

BHP Energy México S. de R.L de C.V
Representante Exclusivo

Bosque de Durazos #69 - Torre B 1107-A
Col. Bosques de las Lomas, México DF. 11700
Tel: +52 55 5251 2008

ventas@bhpenergy.mx / www.bhpenergy.mx

© 2015 BHP Energy México Todos Los Derechos Reservados

EYE Lighting International of North America, Inc.
a division of Iwasaki Electric of Japan